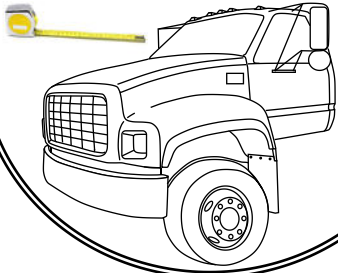


# GMC-100

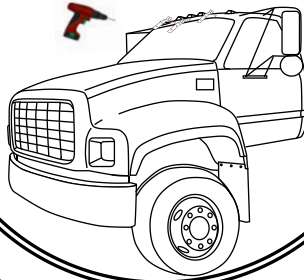
**Figure 1**

Put All The Screws & Brackets Together With The Visor & Place On Top Of The Truck. You Will Have To Measure The Center & Sides To Make Sure The Visor Sets Even On The Truck.



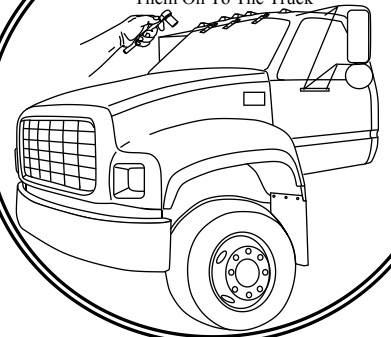
**Figure 2**

After Measuring Where The Visor Will Go, Mark The Holes For The Brackets & Drill Out The Holes With A 1/2 Drill Bit & Put In The Weld Nuts.



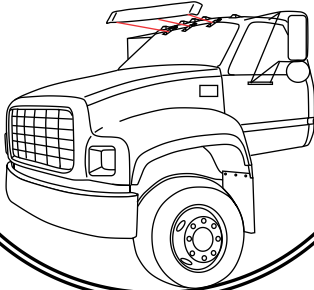
**Figure 3**

Put On The New Brackets & Tighten Them On To The Truck



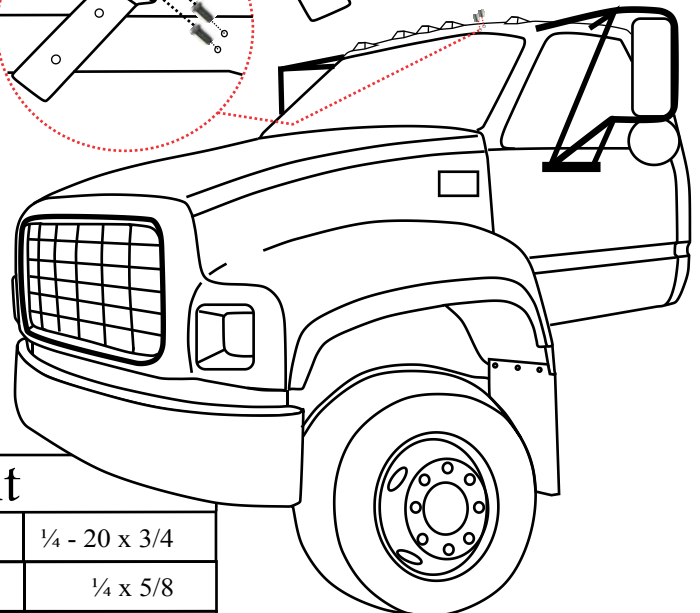
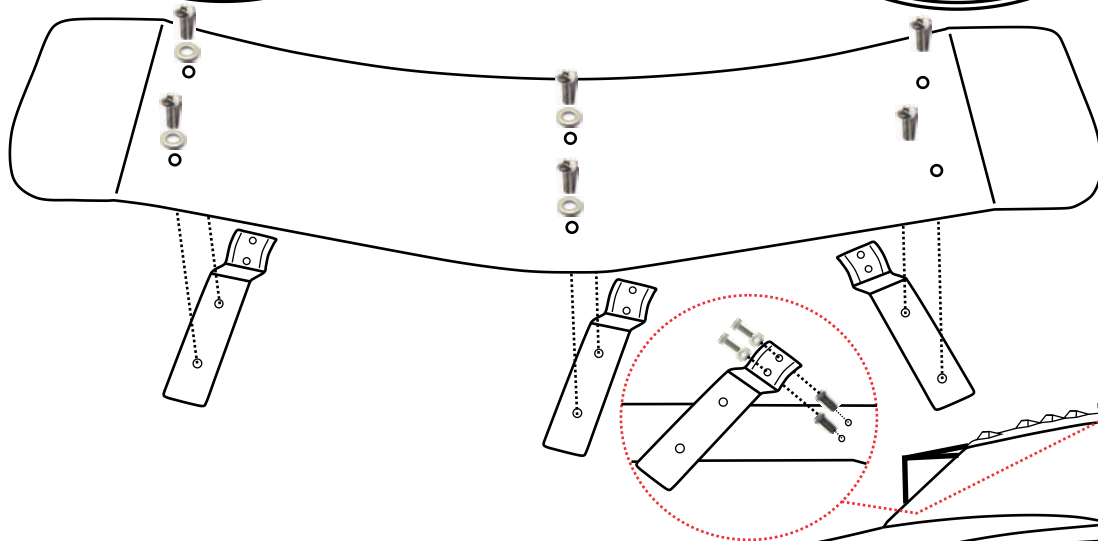
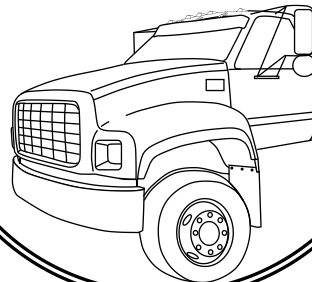
**Figure 4**

Now Place The Visor On Top Of Brackets & Tighten All The Screws



**Figure 5**

Now That You Are Finished With Installing Your ATA Visor, Take Plastic Off The Visor & Clean With Windex



**Example 1**

## Bolt Kit

	QTY: 6	Pan Phillips	1/4 - 20 x 3/4
	QTY: 24	Flat Washer	1/4 x 5/8
	QTY: 6	Weld Nut	1/4 - 20 x 1"
	QTY: 6	Hex Head	1/4 - 20 x 1 1/4
	QTY: 6	Nylon Hex Nuts	1/4 x 20